



<01



<02

image <01 <02 (overview of elements of the work )

<04



<05

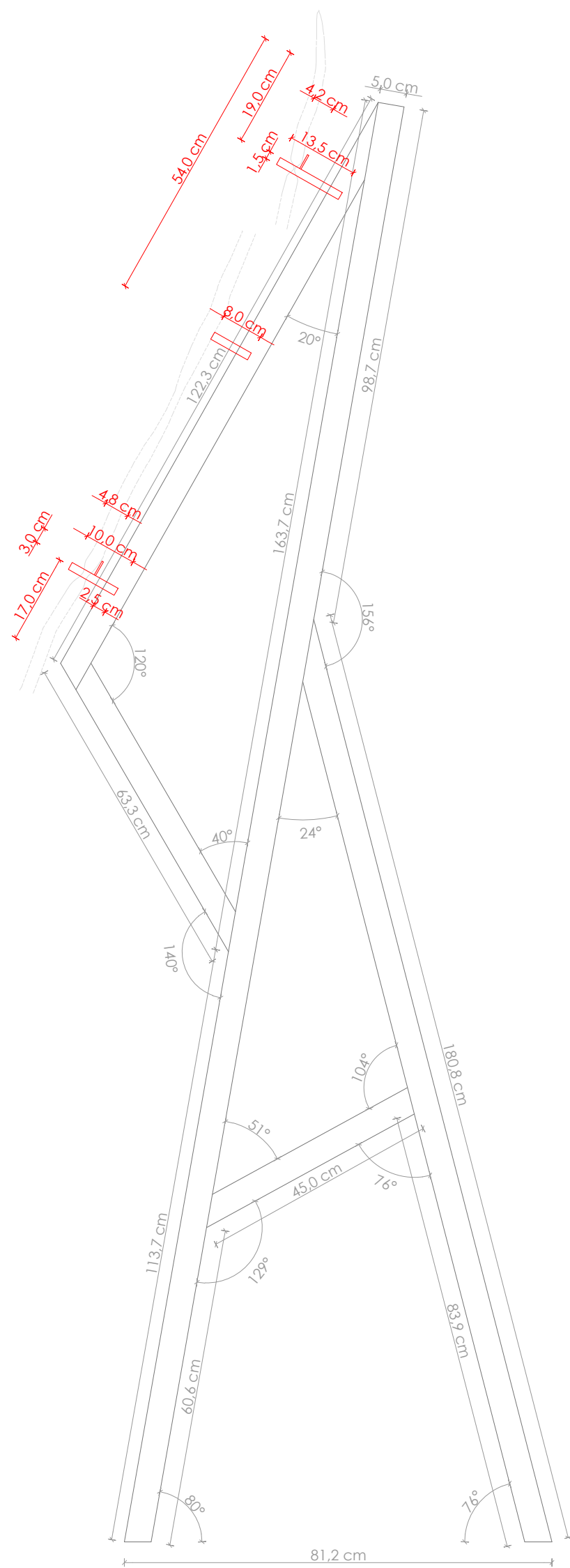


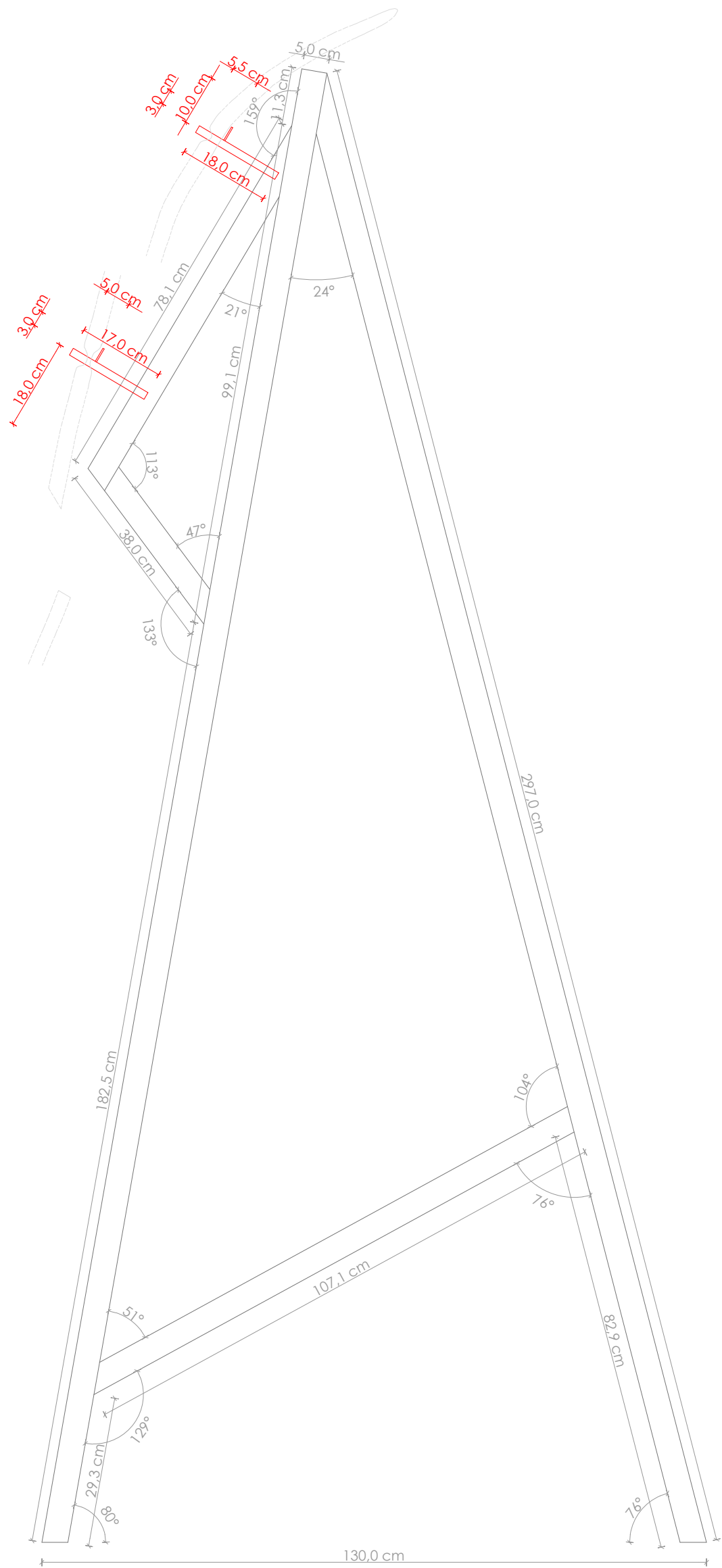
Images <04 and <05 depict a model of the wooden supporting structure measuring 3.33 m x 3.07 x 1.50 to be assembled as supporting structures for PETG-GF panels ( Images 6 and 7) with approximate weight of 15-20 Kg max Each panel measures 120 x 90 x 5 cm



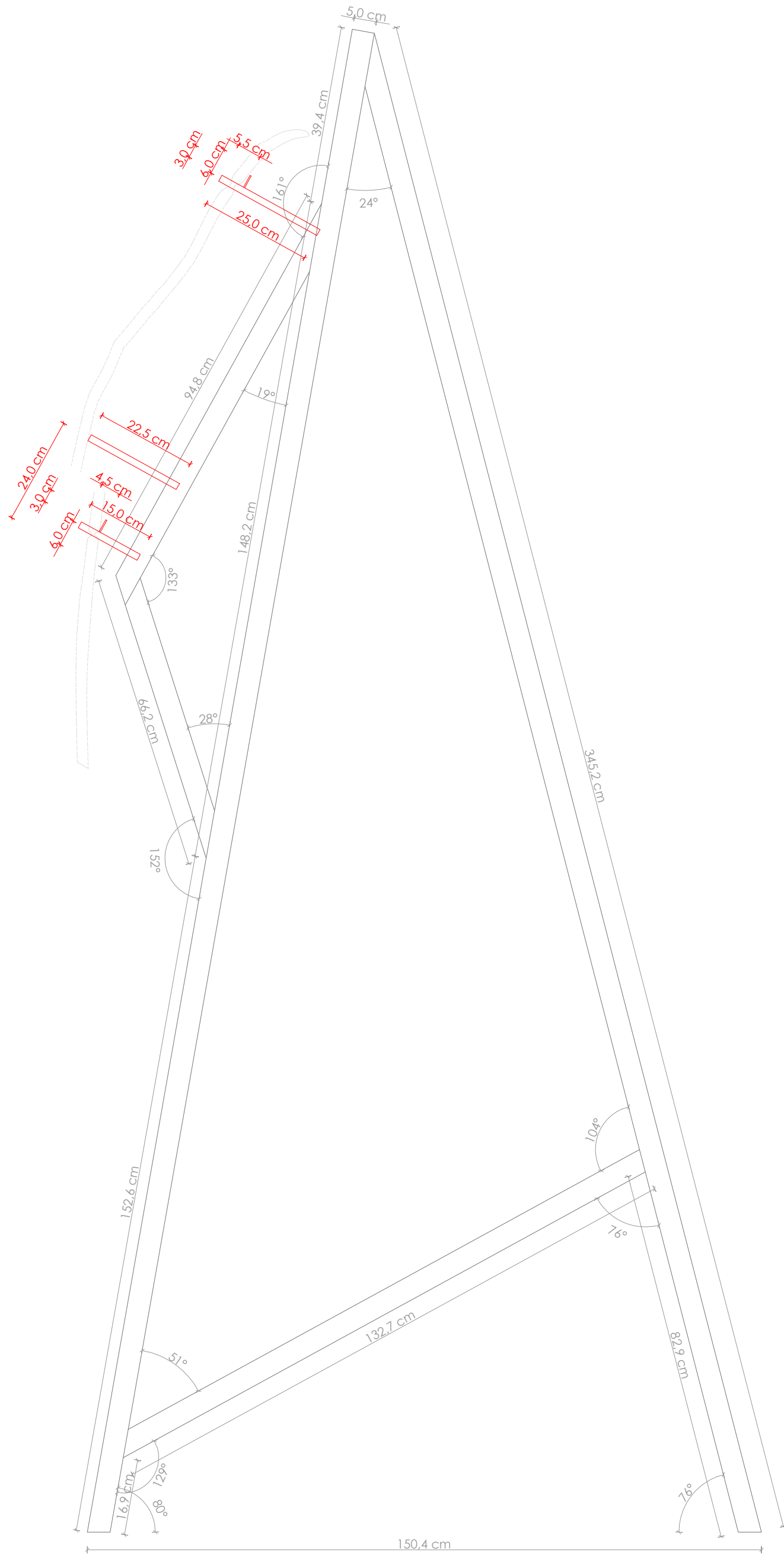
<06

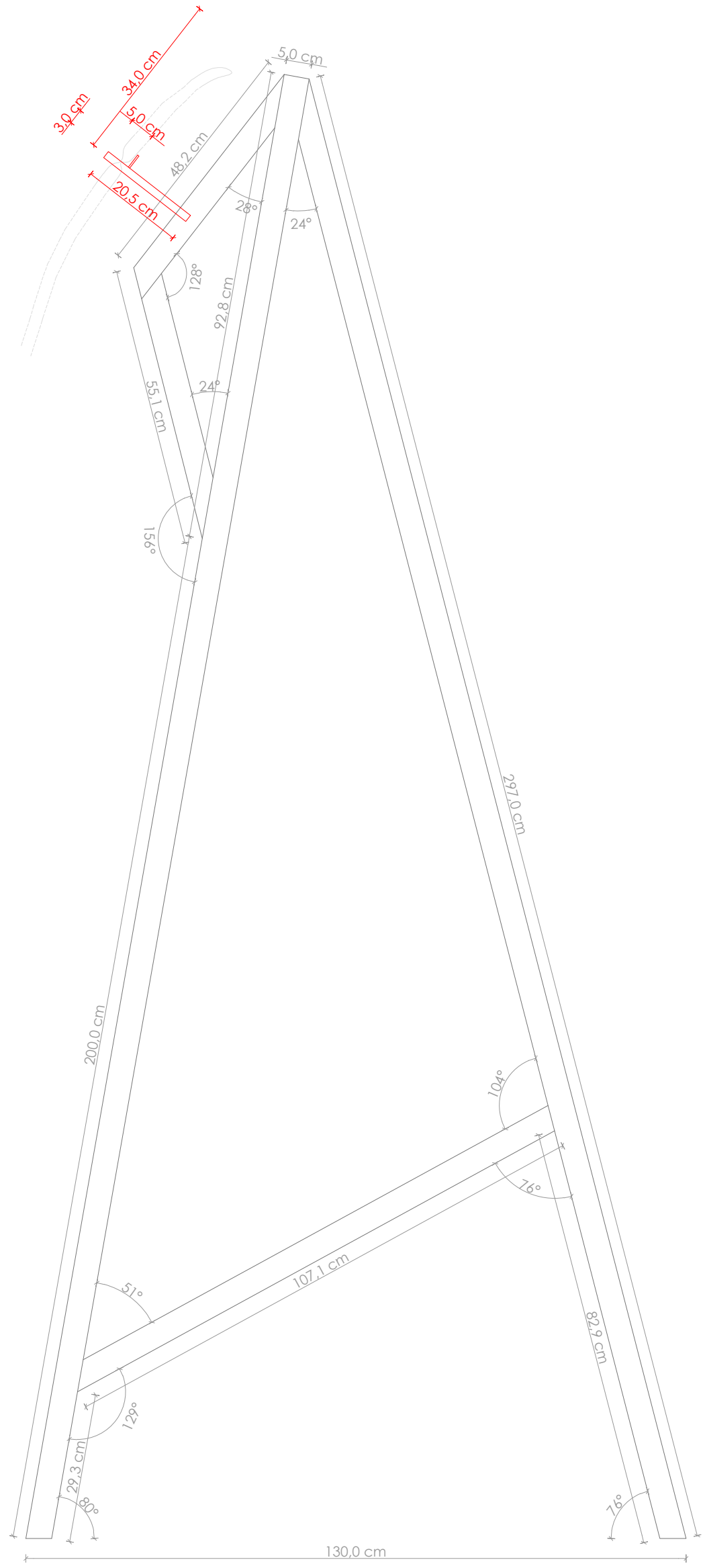
<06 Structure piece is transported disassembled:  
transport measurements: 3.40 x 150 x 60

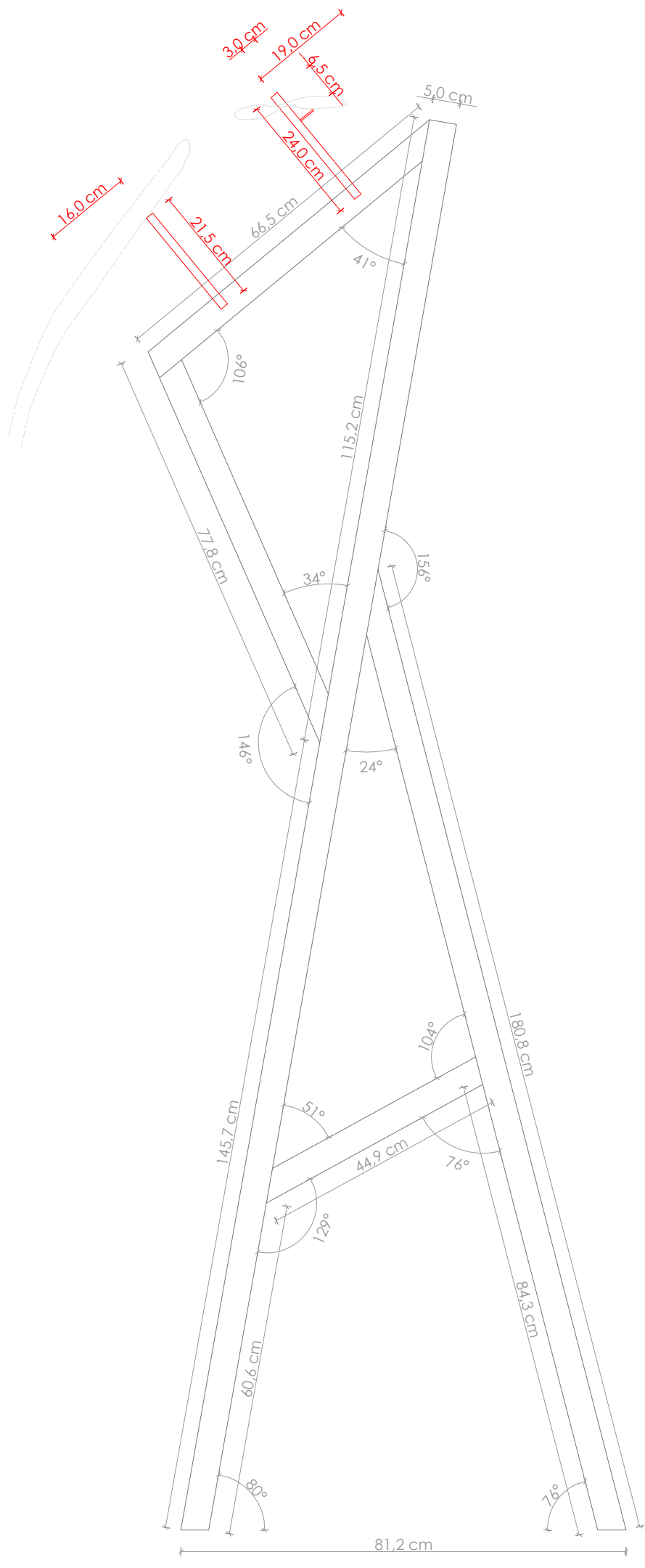












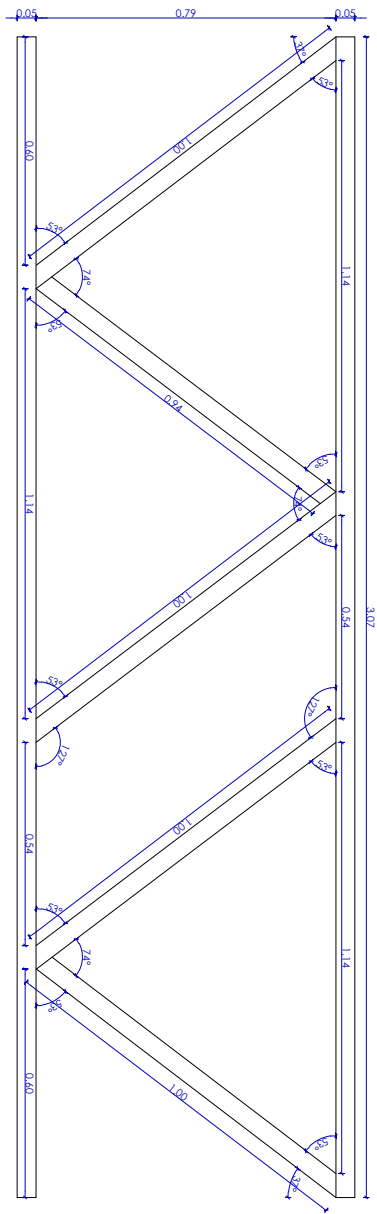




Image <07 overview of work and 3D printed panels - 5 pieces.  
3D printed panels have an average weight of 15\_20 Kg each - approximately.  
Each panel occupies an area of 122x110x50m (transport estimate measurements).



<08 ( detail) Speaker is transported attached to the speaker only to be replaced when broken  
( cables should be carefully disassembled and transported separately from the 3Dprinted panels  
( risk of color transfer over time)

<09 Table structure (bellow) travels in 4 pieces, measurements 132 x 280 x 0,60 cm

